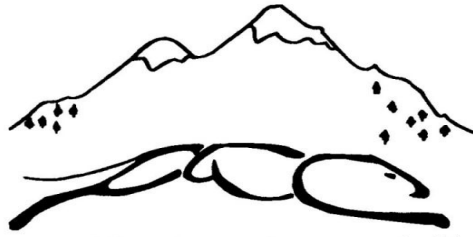


FOOTHILLS GAZEHOUND CLUB



Foothills Gazehound Club
Established 1976

**2 CKC LURE COURSING FIELD TRIALS
SEPTEMBER 16 & 17, 2023
ONE CKC LURE FIELD TRIAL CONFORMATION SPECIALTY
SEPTEMBER 16, 2023**

**Sunshine Acres - Ingram's Acreage
251101 Range Road 271
Rocky View County, Alberta
(East of Calgary)
Approximate GPS Coordinates: N 51 07 3.06 W 113 39 22.03**

COURSING JUDGES:

**Jennifer Council, PO Box 25 Blackie AB, T0L 0J0
Debra Verzyl, 11081 North Watts Rd Ladysmith BC, V9G 1Y6**

FIELD TRIAL CONFORMATION SHOW JUDGE:

Darle Heck, 85067 169 Ave W Foothills AB, T1S 0Z8

**Show Entries and Trial Early Bird Entries close: Wednesday, September 13, 2023 at 10:00 PM MDT
There will be day of entries for the Lure Trials. Day of entry closes at 8:30 AM MDT.**

Note: Roll Call and Rolling Inspection from 9 AM until 9:30 AM MDT

Link to on-line waivers. <https://forms.gle/JqByf2YH4wsGkpy7> This waiver must be completed, or your dog will not be allowed to participate.



A service charge of 10% will be assessed. This includes entries sent online or post using a credit card or interac for payment.

Permission has been granted by the Canadian Kennel Club
for the holding of this event under CKC rules & regulations

Unbenched

To be held outdoors, rain or shine

Unexamined

FOOTHILLS GAZEHOUND CLUB

Club Officers

President: Pat Ingram
Vice-President: Ron Young
Secretary: Melissa Mikl
Treasurer: Rosemary Young

FIELD TRIAL INFORMATION

(See Separate Page for Conformation Show Information)

FIELD TRIAL SECRETARY:

**Pat Ingram
251101 Range Road 271
Rocky View County, AB T1Z 0T8**

**Telephone: 403-285-9884
E-mail: fgc@rimouski.org**

Cell phone on Field (403) 680-5865

Official Veterinarian: There will be a veterinarian within easy access.

Canadian Kennel Club address:

Canadian Kennel Club
#101, 5397 Eglinton Ave. W
Etobicoke, ON. M9C 5K6
Telephone: (416) 675-5511

Canadian Kennel Club Director for Alberta:
Lee Anne Bateman Lee.Anne.Bateman@gmail.com

Canadian Kennel Club Dog Show Representatives for Alberta (Conformation)
Tina Gaudet gtgaudet@shaw.ca

Canadian Kennel Club Lure Coursing Representative for Alberta
Ed Molloy andare@syban.net

FIELD COMMITTEE

CHAIRMAN: Bruce Ingram
SECRETARY: Pat Ingram
COMMITTEE: Bruce Ingram, Ron Young, Pat Ingram, Melissa Mikl
HUNT MASTER: Kimmi Curley, David Nordstrom, John Popplestone
EQUIPMENT PERSONNEL: Ron Young, Brian Ashley, Brandon Young, Aaron Young, Rick Kurpershoek
FIELD CLERK: Rosemary Young, Sherry Webb, Leah Mikl
PADDOCK MASTER: Barb Bergeson, Claudine Hamilton, Jackie Popplestone
PHOTOGRAPHER: Mike McGann

Directions to the Field Approximate GPS Coordinates: N 51 07 3.06 W 113 39 22.03

From the North: QE Hwy #2 South to Stoney Trail Hwy #201. Follow Stoney Trail East to the Country Hills Blvd Exit (exit 68) Go East on Country Hills Blvd (Hwy # 564) for 17.2 km to Hwy #9. South on Hwy #9 3.2 km (2 miles) to Dalroy Road (Twp Rd 252). East 1.6 km (1 mile) to Rge Rd 271. Right turn-South to first acreage.

From the South: QE Hwy #2 North to Stoney Trail Exit 234A. Exit East (right) on Stoney Trail and follow to Hwy #22X East Exit 96. Take Hwy #22X East to Langdon Corner (Rge Rd 272). Signage for Boulder Creek Golf Course. North on Rge Rd 272 to 4-way Stop at Langdon. Continue North (now on Hwy 797) to Hwy #1. Cross Hwy #1 onto Hwy #9. North on Hwy #9 for 9.6 km (6 miles) to Dalroy Road (Twp Rd 252). At this point, follow directions from North.

From the West: Trans Canada Hwy (#1) to Stoney Trail Hwy #201. Follow Stoney Trail to the Country Hills Blvd Exit (exit 68). At this point, follow directions from North.

From the East: Trans Canada Hwy (#1) to Hwy #9. Turn Right on Hwy #9 and go North on Hwy #9 for 9.6 km (6 miles) to Dalroy Road (Twp Rd 252). At this point, follow directions from North.

If your GPS wants you to take Twp Rd 250. Ignore it and take Twp Rd 252.

*Judging Assignments * Provisional Assignment*

Jennifer Council will judge Open Stake all breeds, Mixed Stake and Singles.

Debra Verzyl will judge Open Stake all breeds, Mixed Stake and Singles.

Melissa Mikl will apprentice judge Open Stake all breeds and Mixed Stake

Saturday: Rolling Roll Call from 9:00AM until 9:30 AM. Running order TBA based on entries received, Singles after regular stakes.

Veterans and Puppies – 11 AM Registration at field. Run at lunch break. Limit SEVEN of each. Do not enter online.

Sunday: Rolling Roll Call from 9:00AM until 9:30 AM. Running order TBA based on entries received, Singles after regular stakes.

Eligible Entries

Open to any Afghan, Azawakh, Basenji, Borzoi, Greyhound, Ibizan, Italian Greyhound, Pharaoh Hound, Rhodesian Ridgeback, Saluki, Scottish Deerhound, Whippet, Irish Wolfhound or CKC Miscellaneous Sighthound that is one year or older the day of the trial. All entrants must be registered or eligible for registration, with the Canadian Kennel Club, have ERN # or PEN #. Hounds presently disqualified under CKC, ASFA, CSFA OR AKC rules cannot compete. Hounds with breed standard disqualifications or altered/neutered are eligible to enter the lure field trial. Hounds must pre-qualify prior to entering their first trial in Canada. See information elsewhere in this Premium List.

Stakes Offered

Open Stakes For all hounds including Field Champions.

Mixed Stake Combines breeds with entries of three or less with agreement of all owners.

Best in Field For all Best of Breed winners & 1st from Mixed Stake.

Non-competitive Singles See description below

Puppy Sweeps Puppies between 6 & 18 months on date of trial. Run individually Saturday only \$5 payable at the field. Limit 7.

Veteran Sweeps Dogs 7 years & older on date of trial. Run individually Saturday only \$5 payable at the field. Limit 7.

Breeder Stake Open to any 2 hounds in the official classes bred by the same person(s). **Saturday only.**

Kennel Stake Open to any 2 hounds in the official classes owned & kennelled by the same person(s). **Sunday only.**

***NOTE:** Breeder & kennel stakes combinations must be declared prior to Roll Call.

Placements and Awards

Chapter 7, Section 1: Championship points are awarded in regular stakes only on the following basis:

1st: 4 x # of hounds competing in stake, to a max. of 40 points

2nd: 3 x # of hounds competing in stake, to a max. of 30 points

3rd: 2 x # of hounds competing in stake, to a max. of 20 points

4th: 1 x # of hounds competing in stake, to a max. of 10 points

NBQ: No points

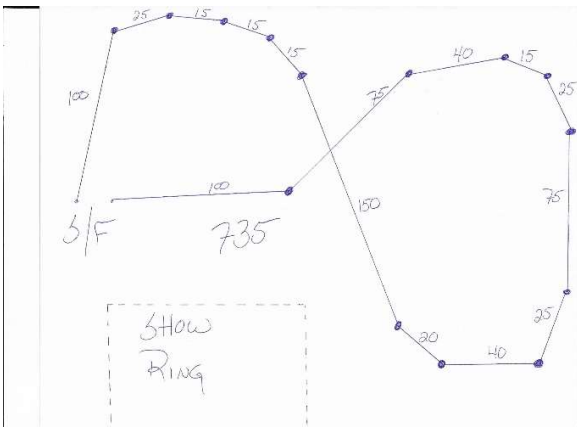
No hound shall receive a placement or points if it does not score at least 50% of the total possible combined scores. If a hound has been excused in the preliminary run, that hound shall not count as having been in competition. Exhibitors please note: As per rule 9.6.1(b) of the CKC Lure Field Trial Rules and Regulations a dog must "Attain 1 first or 2 second placements by defeating dogs in head to head competition". No placements will be awarded towards CKC championships if all dogs in a breed run as singles, but the points will stand.

UNOFFICIAL CLASSES:

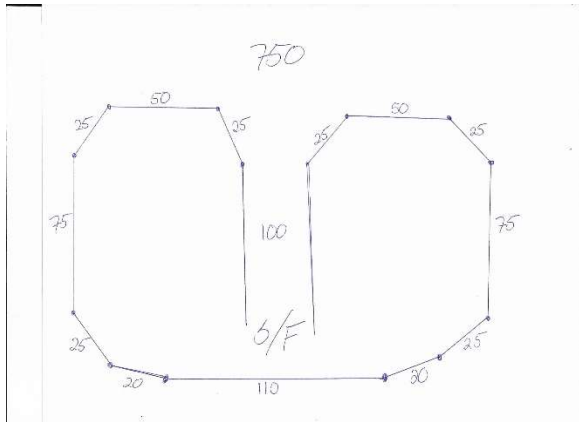
NON-COMPETITIVE SINGLES COMPETITION Limited to 8 dogs

Rolling Roll Call from when you arrive until 9:30 AM. Your dog is DQ'd or not ready for running in competition, but you would like your dog judged? This is the place to be! Dogs will be run individually and scored by both judges. Hounds will run after the open stake has completed its preliminary round and then again after the open stake has completed its final round. Your dog will be only given ONE opportunity to chase the lure each time it comes to the line. Handlers will not be able to run/walk the course with their hounds. A random draw will determine the order of running of dogs in this stake. Dogs must wear a blanket. No points are awarded and all ties are settled by a coin toss. A trophy and ribbon will be awarded to 1st place and ribbons for 2nd to NBQ.

Link to on-line waivers. <https://forms.gle/JqByf2YH4wsGkpyp7> This waiver must be completed, or your dog will not be allowed to participate.



Saturday



Sunday

Plans Not to scale. Field is a slightly rolling pasture land with rough footing. Course Plans may be altered due to weather or other conditions. Drag or Continuous Lure machine with white plastic lures will be used. Backup machine is available.

ENTRY FEES

| FIELD TRIAL CONFORMATION SHOW - SATURDAY | |
|---|----------|
| Entry fee per dog (DOG MUST ALSO BE ENTERED IN LURE TRIAL ON SATURDAY) | \$ 25.00 |
| TCN Fee required for any dog without an individual CKC Registration number, or an ERN. Dogs who need PEN, CCN or MCN numbers cannot obtain a TCN. | \$ 10.50 |
| LURE FIELD TRIAL ONLY | |
| Entry fee for 1st dog per trial | \$ 25.00 |
| Entry fee for 2nd & subsequent dog per trial | \$ 22.00 |
| Post entry fee per dog, AFTER September 13, 2023 | \$ 35.00 |
| Entry fee for Unofficial Singles Competition (limit of 8 dogs) | \$15.00 |
| Entry fee for Unofficial Classes – Breeder Stakes, Kennel Stakes | \$ 5.00 |
| TCN Fee required for any dog without an individual CKC Registration number, or an ERN. Dogs who need PEN, CCN or MCN numbers cannot obtain a TCN. | \$ 10.50 |
| dogshow.ca service fees 10% of total fees + GST | |
| NO LONGER REFUNDABLE AS OF APRIL 7TH, 2021 | |



A service charge of 10% will be assessed. This includes entries sent online or post using a credit card or Interac for payment.

Conformation Entry closes: Wednesday, September 13, 2023 – 10:00 pm MDT
Lure Trial Early Bird closes: Wednesday, September 13, 2023 – 10:00 pm MDT
Lure Trial Post Entry closes: Day of Trial – 8:30 am MDT

Cheques dated after close of entries will not be accepted. **Returned cheques & declined credit cards will be assessed a \$25.00 service charge (Chapter 8.8, C.K.C. Dog Show Rules).** To comply with instructions issued by the Canadian Kennel Club, we will be unable to accept any entry reaching our Event Secretary after the closing time and date. **Please allow ample time for delays in the mail.** NO ENTRY WILL BE ACCEPTED WITHOUT PAYMENT IN FULL. Tendering of an NSF cheque in payment of entry fees will be considered non-payment of entry fees and is an offence punishable by CKC disciplinary action and cancellation of awards. The owner of a dog entered in this show is entirely responsible for any error in the entering of his dog, regardless of how, or by whom the entry was made. Overpayments and duplicate entries will be considered a donation to our trophy fund. Thank you!

All prizes must be claimed at the trial. They will NOT be mailed.

PRIZE LIST

Best of Breed or 1st in Mixed Stake Rosette + Suitable Prize

1st in split Stake, 2nd to NBQ Rosette only

Best in Field Rosette + Suitable Prize

Singles Rosette + Suitable Prize for 1st place.

All placements receive a ribbon.

Puppy Sat Only 50% of entry for 1st in each class

Veteran Sat Only 50% of entry for 1st in each class.

All placements receive a ribbon. Best Overall Rosette & Trophy

Unofficial Stakes-Ribbon & suitable prize for 1st.

SPECIAL PRIZE LIST

The Founder's Trophy to be awarded to the hound achieving top overall aggregate for the year. Your hound must compete at all FGC trials throughout the year to be eligible for this award. For 2021 this will be five events. The trophy will be awarded the final day of our September trial weekend.

In Memory of Rachelle Descent and her Kwikasair Reg'd Kennel, FGC offers a prize in memory of Ch. Robway's Mean Marcia, to the highest scoring first time entered dog, for its very first trial during the weekend. Mark entry form if this on your hounds first trial.

Poseidon Whippets Reg'd offer a trophy in memory of Ch. Canisphere Mispickel Memory to the Whippet achieving the highest score during the weekend.

In Memory of Rachelle Descent and her Kwikasair Reg'd Kennel, FGC offers a prize in memory of Ch. Quick As A Whippet to the veteran hound entered in the regular stakes with the highest qualifying score. Mark your entry if your hound is over 7 years of age.

In Memory of Rachelle Descent and her Kwikasair Reg'd Kennel, FGC offers a prize in memory of Ch. Woodsmoke's In Hot Pursuit, FCh to the High Aggregate dog entered in the Singles Stake.

Claudine Hamilton, Dreamwindz Reg'd offers the Susan Nordstrom Memorial Trophy to the high aggregate Dual Champion (Ch and FCh) over each weekend of FGC trials in memory of Susan Nordstrom and her Lynallan Whippets.



Pizza on the field
Saturday after completion of Field Trial Conformation Show
\$15/person
Please pre-order thru dogshow.ca

ADDITIONAL INFORMATION FOR FIELD TRIAL

- Overnight parking permitted on field. Please park in the designated areas. Port-a-potty on site.
- Stakes will be split if the entry is 20 or more hounds at roll call.
- Hounds will be run twice, in braces or trios (except single dog entries) unless excused, dismissed, or declared ineligible.
- Lame hounds or bitches in season will be excused and their entry refunded, provided notice is given prior to or during roll call.
- Hounds not present at roll call shall be scratched with no refunds. No Exceptions.
- All handlers must use a slip lead when releasing a hound. A Standing Start will be used on Tally-Ho.
- Leg wrappings must be of a neutral colour to comply with CKC rules. Muzzles & catch collars may be used at the handler's discretion. No Flexi-leads or shock collars allowed.
- A \$10.00 fine will be assessed for loose dogs on the field after roll call and until after Best in Field.
- **Bruce's Bistro** will open for your eating pleasure.
- Bring your own water and shade.
- No catalogue will be published. Score sheets will be available.
- A veterinary clinic is within easy access from the field.
- Please clean up after yourselves and your dogs. Do not stuff plastic bags down holes. Please use the trash receptacles provided.
- Please come early to help fill gopher holes as they have been very busy.
- Visit these websites for dog friendly accommodations in South Calgary or Strathmore www.doginmysuitcase.com, www.travelpets.com, www.officialpethotels.com. Book early, do not leave your dog unattended and remember to "Stoop & Scoop"


Las Vegas Lure Coursing 50/50
In Support of the Veteran's Food Bank

You may enter any sighthound you own or have owned. Entry is \$2/dog. Sign up at Roll Call to 10 am. Breeds are not split into multiple stakes.

Two judges start with scores of 70. At signup two cards are drawn from a standard deck. These are your preliminary scores. Ace to ten are face value, Jacks-11, Queens-12, Kings-13 and a Joker is an excusal. For Example, drawing a 7 and King would equate to a 77 and an 83. During lunch break the second group of cards is drawn for the finals.

All scores are tallied to determine BoB winners. Any ties are determined by a "draw off". BoB winners will then draw for Best in Field

Best in Field takes 50% of the proceeds as does the Veterans Food Bank.

| | | |
|--|--|--|
| OFFICE USE |  <p>OFFICIAL CKC ENTRY FORM</p> <p>FOOTHILLS GAZEHOUND CLUB LURE FIELD TRIAL ENTRY FORM</p> <p>Saturday <input type="checkbox"/> Sunday <input type="checkbox"/></p> | OFFICE USE |
| <p>I ENCLOSE \$ _____ ENTRY FEES \$ _____ TCN FEES \$ _____</p> <p><i>PLEASE TYPE OR PRINT CLEARLY</i></p> | | |
| <p>ENTER IN THE FOLLOWING CLASSES:</p> <p>_____ OPEN _____ SINGLE</p> <p>Is this the hound's first trial in Canada? _____ Hound Certification Form must be attached.</p> | | |
| BREED: _____ | Call Name _____ | <input type="checkbox"/> MALE <input type="checkbox"/> FEMALE |
| Registered Name _____ | | |
| Check one and enter number here: <input type="checkbox"/> CKC Registration No. <input type="checkbox"/> TCN Number <input type="checkbox"/> CKC ERN or PEN No. <input type="checkbox"/> Foreign Reg. No. & Country <input type="checkbox"/> CKC Misc. Cert. No. _____ | | Owner's CKC Membership No. _____ |
| DATE OF BIRTH _____ / _____ / _____ <i>Day Month Year</i> | PLACE OF BIRTH CANADA _____ ELSEWHERE _____ | Please separate my hounds _____ |
| BREEDER | | |
| SIRE | | |
| DAM | | |
| REG'D OWNER | | |
| OWNER ADDRESS | | |
| | | |
| OWNER'S AGENT(IF ANY) AT THE TRIAL: | | |
| AGENT'S ADDRESS: | | |
| CARD NO. _____ VISA _____ MASTERCARD _____ AMERICAN EXPRESS EXPIRY _____ / _____ CARDHOLDER NAME (PLEASE PRINT) _____ | | |
| IDs will not be mailed – please supply email address below for entry confirmation | | |
| <small>I CERTIFY that I am the registered owner(s) of the dog or that I am the authorized agent of the owner(s) whose name(s) I have entered above and accept full responsibility for all statements made in this entry. I CERTIFY that one of the owners has the CKC membership number listed above. In consideration of the acceptance of this entry, I (we) agree to be bound by the rules and regulations of the Canadian Kennel Club and by any additional rules and regulations appearing in the premium list.</small> | | |
| _____ SIGNATURE OF OWNER OR AGENT | | |
| E-mail: _____ | Phone: _____ | |

FIELD TRIAL CONFORMATION SHOW INFORMATION

To participate in the show a hound must have achieved a qualifying score in the Open or Mixed Stakes in the preceding field trial without having been excused, dismissed, or declared ineligible. You must PRE-ENTER both events prior to September 13, 2023. An altered dog can participate as a Veteran. Please complete both a show entry and a trial entry as they are separate events.

SHOW COMMITTEE

Chairperson: Bruce Ingram Show Secretary: TKO Show Services Ring Steward: Leah Mikl
Committee: All members of Foothills Gazehound Club

EVENT SECRETARY (to whom all entries must be sent):

TKO Show Services - TKOShowServices@gmail.com
1219 - 18A Street NE
Calgary, AB T2E 4W5 Ph: 403-651-7789

Judging will commence one half hour after the completion of the trial.

JUDGE: Darle Heck 183033- 153 St. West, Foothills, AB, T1S 0Y8

All Regular and Altered Classes for Afghan, Azawakh, Basenji, Borzoi, Greyhound, Ibizan, Italian Greyhound, Pharaoh Hound, Rhodesian Ridgeback, Saluki, Scottish Deerhound, Whippet, Irish Wolfhound.

Entry Fees

\$25.00 per hound (Dog must also be entered in Lure Coursing Trial on Saturday)

\$10.50 TCN fee for all non-CKC registered hounds per day

Classes Offered

The following CKC classes (divided by sex) will be provided:

| | |
|-------------------|--|
| 12-18 MONTHS | Dogs between 12 months and under 18 months on day of show |
| CANADIAN BRED | Dogs born in Canada; Champions of any country are excluded. |
| BRED BY EXHIBITOR | Dogs <i>owned and handled in the ring by the breeder</i> for this class, but need not handle the dog for further awards. |
| OPEN CLASS | For all dogs |
| VETERANS CLASS | For all dogs over 7 years of age on day of show. These dogs to compete for regular placements and the winner of this class will go on to compete for BEST OF BREED (they do not compete for Winners). Dogs in this class may be spayed or neutered. |
| SPECIALS ONLY | For dogs who are Canadian Champions. A CKC Registration Number, ERN or MSC Number must be indicated on the entry form at time of closing. |
| ALTERED | Dogs 12months of age or older. Dogs in this class must be spayed or neutered. |

Prize List

| | |
|--|---|
| Best in Specialty Prize and Rosette Best Veteran in Specialty Prize and Rosette Best Altered in Specialty Prize and Rosette Best of Breed Prize and Rosette Best of Opposite Sex Rosette | Best of Winners Rosette Winners Male/ Female Rosette Winners Altered Male/ Female Rosette Reserve Winners Altered Male/Female Rosette Reserve Winners Male/Female Rosette All Class Placements Rosette |
|--|---|

Link to on-line waivers. <https://forms.gle/JqByf2YH4wsGkpy7> This waiver must be completed, or your dog will not be allowed to participate.

WITHDRAWAL OF ENTRIES

Please note: An exhibitor has the right to withdraw an entry up to the closing date and time as published in the premium list. This may be done by telephone but written or electronic notification must be received by the Show Secretary no later than the official closing date and time. If written notification is not received by that time, the dog will remain entered in the show.

An error in an age-specified class, date of birth or sex, may be amended up to one hour before the start of the show.

To participate in the show a hound must have achieved a qualifying score in the Open or Mixed Stakes in the preceding field trial without having been excused, dismissed, or declared ineligible. You must PRE-ENTER both events prior to September 13, 2023.

Veterans may be spayed or neutered.

Please complete both a show entry and a trial entry as they are separate events.

Exhibitors Please Note: It shall be the duty and obligation of the event-giving club to see that a judge, club official, volunteer, or any participant at an event held under these rules is not subject to any indignities of any kind. The Event Committee Chair shall promptly report to the CKC any infringement of this regulation, and the Discipline Committee shall have the authority to take such action as it deems fit on receipt of a report indicating that this has occurred.

Show precincts shall be within 50 feet of the designated show ring

CHAMPIONS AND CHAMPIONSHIP POINTS

A dog awarded WINNERS at a championship show held under these dog show rules shall be credited with a number of championship points (ranging from 0-5) and the determination of the number of championship points to be credited to a dog awarded WINNERS shall be as provided hereunder:

The schedule to be employed in the determination of the number of points allocated to a dog awarded WINNERS shall be as follows:

| | | | | | | |
|-----------------|---|---|--------|--------|----------|------------|
| Dogs Competing* | 1 | 2 | 3 to 5 | 6 to 9 | 10 to 12 | 13 or more |
| Points Awarded | 0 | 1 | 2 | 3 | 4 | 5 |

*includes dog awarded WINNERS

To determine the number of championship points by a dog awarded WINNERS, total of all the dogs in competition which the dog defeated, directly or indirectly, for the highest of the following official breed awards: Best of Winners, Best of Breed, or Best of Opposite Sex, and then consult the schedule set forth above. In counting the number of eligible dogs in competition, a dog that is disqualified, dismissed, excused or ordered from the ring by the judge shall NOT be included in the calculation for championship points.

In order for a dog to be recognized as a Champion and its owner provided with a Championship Certificate the dog must have earned at least one 2-point win either at a breed or group level.

15.2 Grand Champion (GCh) (47-06-12)

Section 15.2.1 The title of Grand Champion may only be earned after the completion of the CKC conformation championship.

Section 15.2.2 Points for this title are only accumulated after the completion of the conformation championship and do not include the points earned in attaining the conformation championship.

Section 15.2.3 To be awarded a Grand Champion title, a dog must attain a minimum of 20 points, which must include a minimum of two (2) wins of at least two (2) points each. Points may be gained at breed, group or Best in Show/Specialty level. Only the highest points earned at a single show are carried forward.

(a) Grand Champion Point System

Points towards the Grand Champion title, at breed level, are awarded to the Best of Breed, Best of Opposite Sex, Select Dog and Select Bitch. Points are calculated based on the number of animals competing at the breed

level for the Best of Breed winner and the number of similar-sex dogs competing for the other three (Best of Opposite, Select Dog, Select Bitch). The following schedule shall be employed in the determination of points awarded at breed level:

| | | | | | | |
|------------------|---|---|--------|--------|-------|-----------|
| *Dogs Competing | 1 | 2 | 3 to 5 | 6 to 9 | 10-12 | 13 & more |
| Points Allocated | 0 | 1 | 2 | 3 | 4 | 5 |

Points awarded beyond breed level shall be:

| Number of Dogs Competing at Group Level | Dog Placed First | Dog Placed Second | Dog Placed Third | Dog Placed Fourth |
|---|------------------|-------------------|------------------|-------------------|
| 13 or more | 5 | 4 | 3 | 2 |
| 10 to 12 | 4 | 3 | 2 | 1 |
| 6 to 9 | 3 | 2 | 1 | 1 |
| 5 | 2 | 1 | 1 | 1 |
| 4 | 2 | 1 | 1 | 0 |
| 3 | 2 | 1 | 0 | 0 |
| 2 | 1 | 0 | 0 | 0 |
| 1 | 0 | 0 | 0 | 0 |

Best in Show (5 points)

(b) In order to obtain a Grand Champion title, a dog must obtain at least two (2) points after 12 months of age. In counting the number of eligible dogs in competition, a dog that is disqualified, dismissed, excused or ordered from the ring by the judge shall not be included in the calculation for Grand Champion points.

15.3 Grand Champion Excellent (GChEx) (48-06-12)

Section 15.3.1 The title of Grand Champion Excellent may only be earned after the completion of the CKC grand championship title.

Section 15.3.2 Points for this title may be accumulated at any time after the completion of the CKC grand championship but does not include the points earned in attaining the conformation championship or the grand championship.

Section 15.3.3 A minimum of 100 points, which must include one (1) Best in Show or a Best of Breed at a breed national specialty (where a minimum of 10 dogs have competed) plus three (3) Group 1st or three (3) breed specialty wins.

Grand Champion Excellent point system

| Win | Points |
|--|--------|
| First in Group or Best in Specialty Show | 5 |
| Second in Group or Best of Opposite Single-Breed Specialty Show | 4 |
| Third in Group | 3 |
| Fourth in Group (Note: No points are acquired if no other dog is present in the group.) | 2 |
| Best of Breed (To earn the breed point, at least five (5) dogs must be shown at breed level.) | 1 |
| Best in Show or Best in National Specialty Show | 10 |

Section 15.3.4 Only the highest points earned at a single show are carried forward. For example, a dog that wins first in group and then wins Best in Show, earns 10 points, not 15.

Section 15.3.5 The title of Grand Champion Excellent shall not be awarded retroactively. However, dogs that have been awarded the Grand Champion title prior to January 1, 2013, will be awarded the Grand Champion Excellent title on application to the CKC.

Section 15.3.6 Additional Requirements

To attain a Grand Champion Excellent title, a dog must have been awarded a CKC performance title from any CKC event. A CGN, Herding Tested certificate or ChaseAbility Program title are not considered performance titles for the awarding of this title.

- **Grand Champion Bronze:** Awarded after an additional 50 points are earned after completing a Grand Championship and other qualifiers.
- **Grand Champion Silver:** Awarded after an additional 100 points are earned after completing a Grand Championship Bronze and other qualifiers.

- **Grand Champion Gold:** Awarded after an additional 200 points are earned after completing a Grand Championship Silver and other qualifiers.

Competitors can begin to earn points for these new titles after July 1st, 2021.

Have you already earned additional Grand Champion Points? Those can be used towards your Grand Champion Bronze title; however, you must earn a minimum of 5 points towards this title after July 1st, 2021.

Champion Bronze title; however, you must earn a minimum of 5 points towards this title after July 1st, 2021.

ATTENTION: CANADIAN EXHIBITORS (applies to both events)

CKC Non-Member Participation Fee (24-12-3)

- An annual non-member participation fee for awards and titles will be charged to a Canadian non-member of CKC. The fee is \$170.00 + 5% GST. .
- In order to protect the awards/titles earned, the non-member will have a choice either to become a CKC member or to pay the non-member participation fee. Failure to comply within 30 days of notification will cause all awards and titles to be cancelled.
- "these fees apply only to dogs wholly owned by Canadian resident non-CKC members and are not applicable to CKC members"

*Please note that the CKC Membership Application and the Non-Member Participation Fee forms are available on the website, <http://www.ckc.ca> under CKC Services and then Forms On-line. If submitting a Membership Application, please ensure that you also complete the Non-Member Participation Fee form so that we are aware of the dogs involved.

This fee does not have to be paid before entering this show.

ATTENTION ALL FOREIGN EXHIBITORS (applies to both events)

Effective Jan/1992 all dogs that are foreign-born and foreign-owned and enter Canada for the sole purpose of entering CKC (Canadian Kennel Club) events will no longer require a CKC registration number but will require an ERN - Event Registration Number. This ERN does not register a dog with CKC for breeding purposes as defined in the Animal Pedigree Act but rather enables a foreign-owned dog to be awarded titles by the Canadian Kennel Club. Each dog must have its own number. To obtain an ERN, mail or fax a photocopy of the dog's registration certificate with certified cheque, money order, VISA or MasterCard number (expiry date, cardholder's name and signature). Provide your complete address for return of the ERN to you. Cost is \$62.40 + 5% GST. ERN MUST BE APPLIED FOR WITHIN 30 DAYS OF FIRST DAY OF ENTERING A CKC EVENT. A CKC ERN registration form can be downloaded from the CKC website: <http://www.ckc.ca>

CKC FAX NUMBER (416) 675-6506

Please note that fees are due and payable in Canadian dollars. Due to consistently fluctuating currency rates, discounted cheques will not be accepted. Personal Cheques will be accepted, however, they are to be payable in Canadian funds. If you send a cheque in US funds, it must be made out for the full amount of the entry and no exchange will be refunded to the exhibitor. Please do not mark cheques "Payable in Canadian Funds" or "At Par". They will not be cleared by the banks. To simplify the process, we urge that you purchase bank drafts or money orders payable in Canadian funds. Your understanding and cooperation is appreciated. Thank you

Information for US Exhibitors on entering Canada

- **Please check the Canada Border Services website for current travel requirements to enter Canada.**
- To enter Canada from the States, US Citizens must show proof of identity; however as of June 1, 2009, to enter back into the United States, all US Citizens age 16 or older must have a valid Passport or Approved Secure Travel Document.
- Please be aware that all dogs must have a valid rabies certificate to cross the border. A valid rabies vaccination that has been given at least 30 days prior to entry into Canada is required to bring a dog into this country. Government regulations require a rabies vaccination certificate be provided for each dog, unless under the age of three months.



A service charge of 10% will be assessed. This includes entries sent online or post using a credit card or Interac for payment.

OFFICE USE



OFFICIAL CKC ENTRY FORM

OFFICE USE

FOOTHILLS GAZEHOUD CLUB

LURE FIELD TRIAL SPECIALTY CONFORMATION SHOW

Saturday September 16, 2023

I ENCLOSE \$ _____

ENTRY FEES \$ _____

TCN (Listing) FEES
\$ _____

PLEASE TYPE OR PRINT CLEARLY

ENTER IN THE FOLLOWING CLASSES:

12-18 Months Canadian Bred Bred-by Exhibitor Open
 Specials Only Veterans Altered

BREED:

 MALE
 FEMALE

Registered Name

Check one and enter number:

CKC Registration #
 CKC ERN #
 Listed (TCN number required)

Owner's CKC Membership No.

DATE OF BIRTH

 _____ / _____ / _____
 Day Month Year

PLACE OF BIRTH

CANADA _____

ELSEWHERE _____

BREEDER

SIRE

DAM

REG'D OWNER

OWNER ADDRESS

OWNER'S AGENT(IF ANY) AT THE SHOW:

AGENT'S ADDRESS:

IDs will not be mailed – please supply email address below for entry confirmation
 VISA MASTERCARD AMERICAN EXPRESS

CARD NO. _____

EXPIRY _____ / _____

CARDHOLDER NAME (PLEASE PRINT) _____

I CERTIFY that I am the registered owner(s) of the dog or that I am the authorized agent of the owner(s) whose name(s) I have entered above and accept full responsibility for all statements made in this entry. In consideration of the acceptance of this entry, I (we) agree to be bound by the rules and regulations of the Canadian Kennel Club and by any additional rules and regulations appearing in the premium list.

SIGNATURE OF OWNER OR AGENT

E-mail: _____

Phone: _____